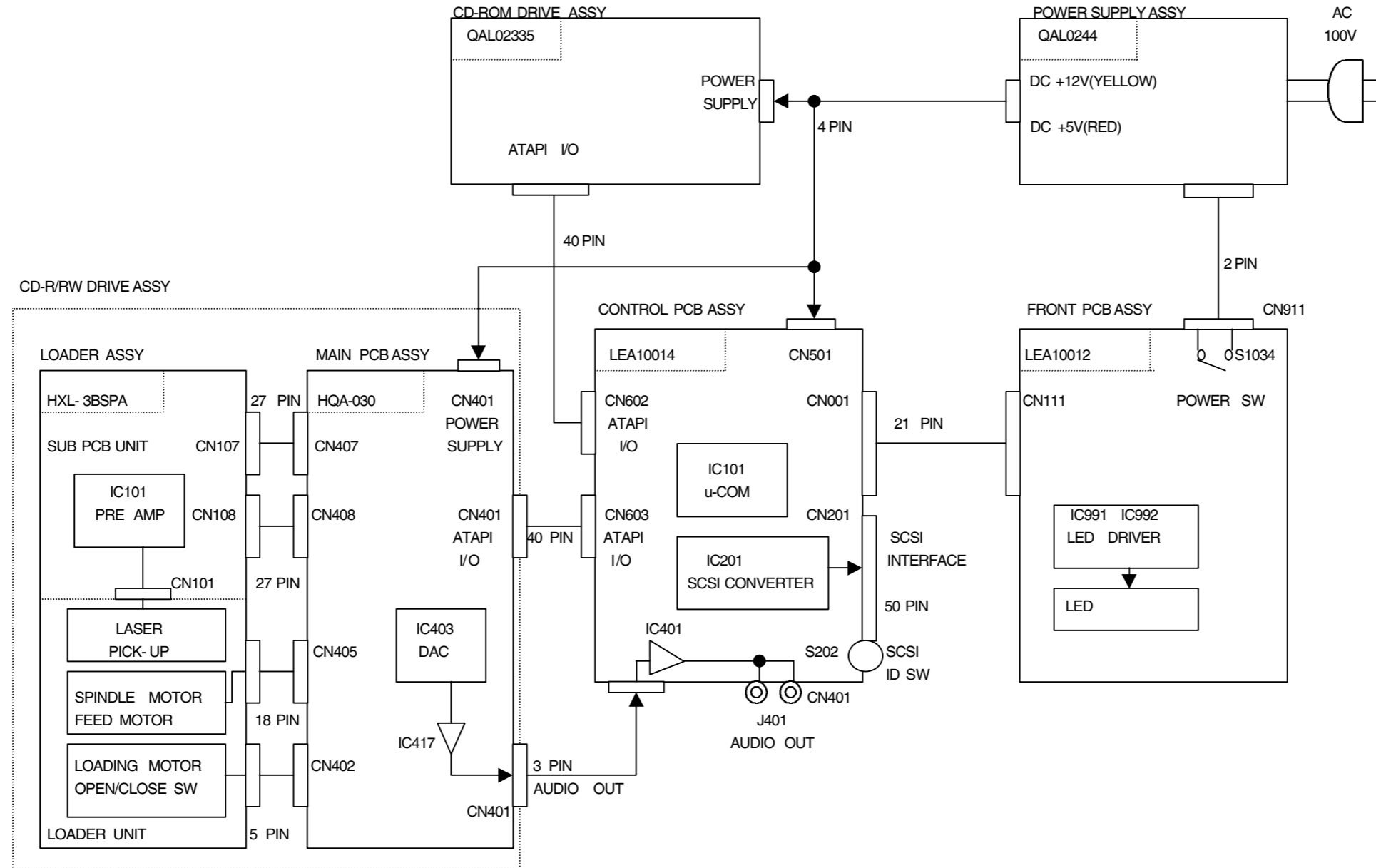


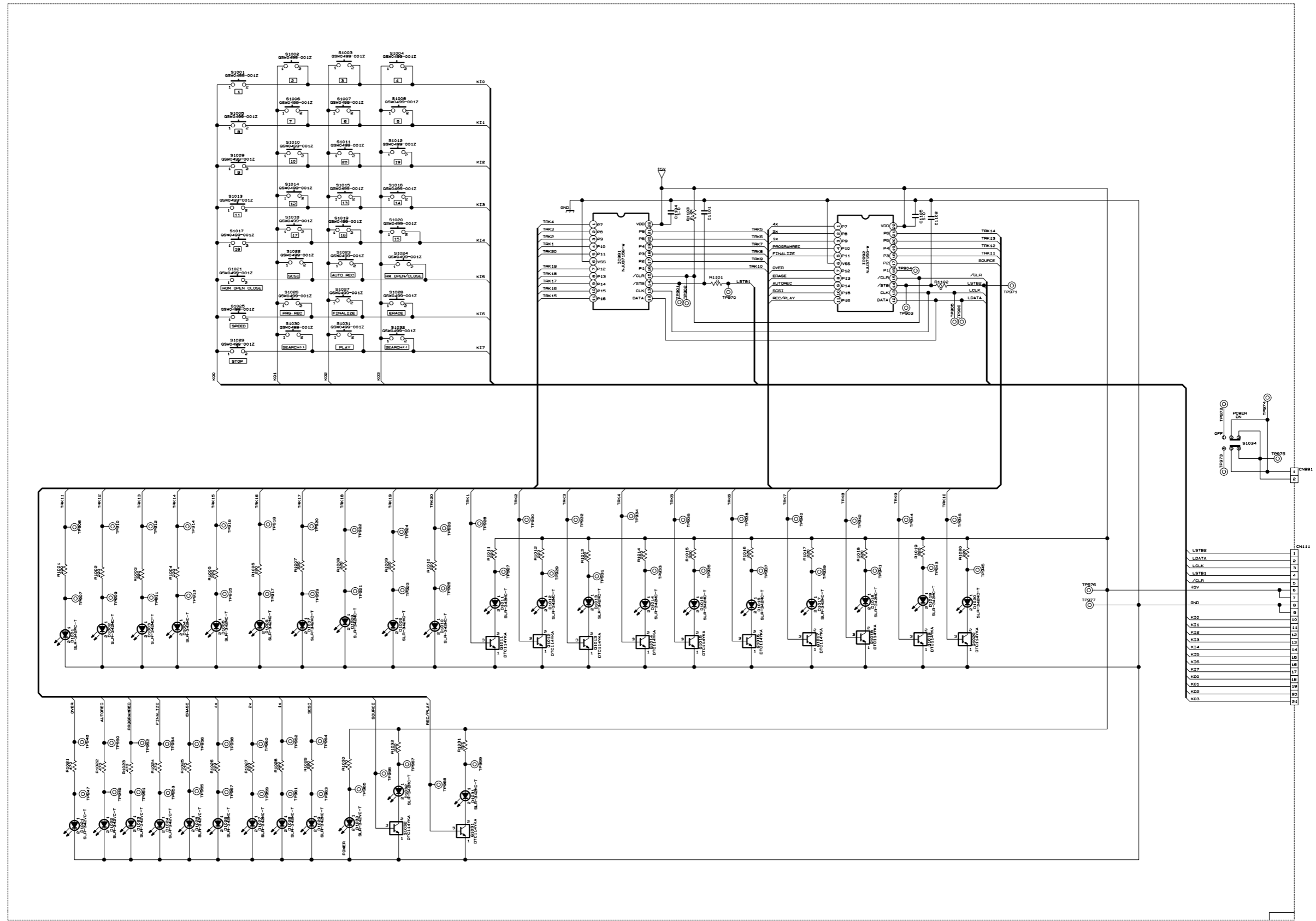
Block diagram



Standerd schematic diagrams

■ Front Key/Indicator circuit

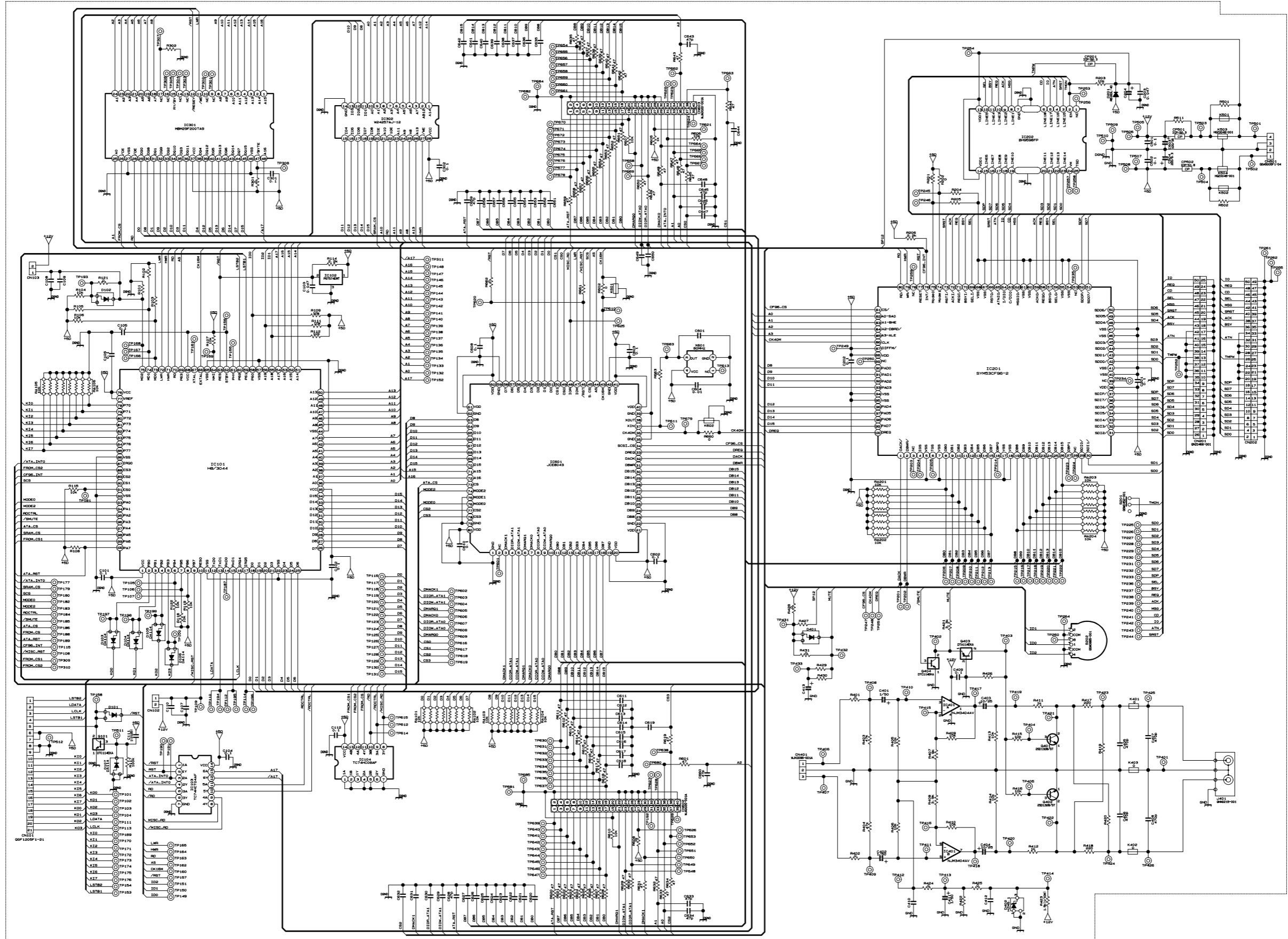
7
6
5
4
3
2
1



A B C D E F G H I J

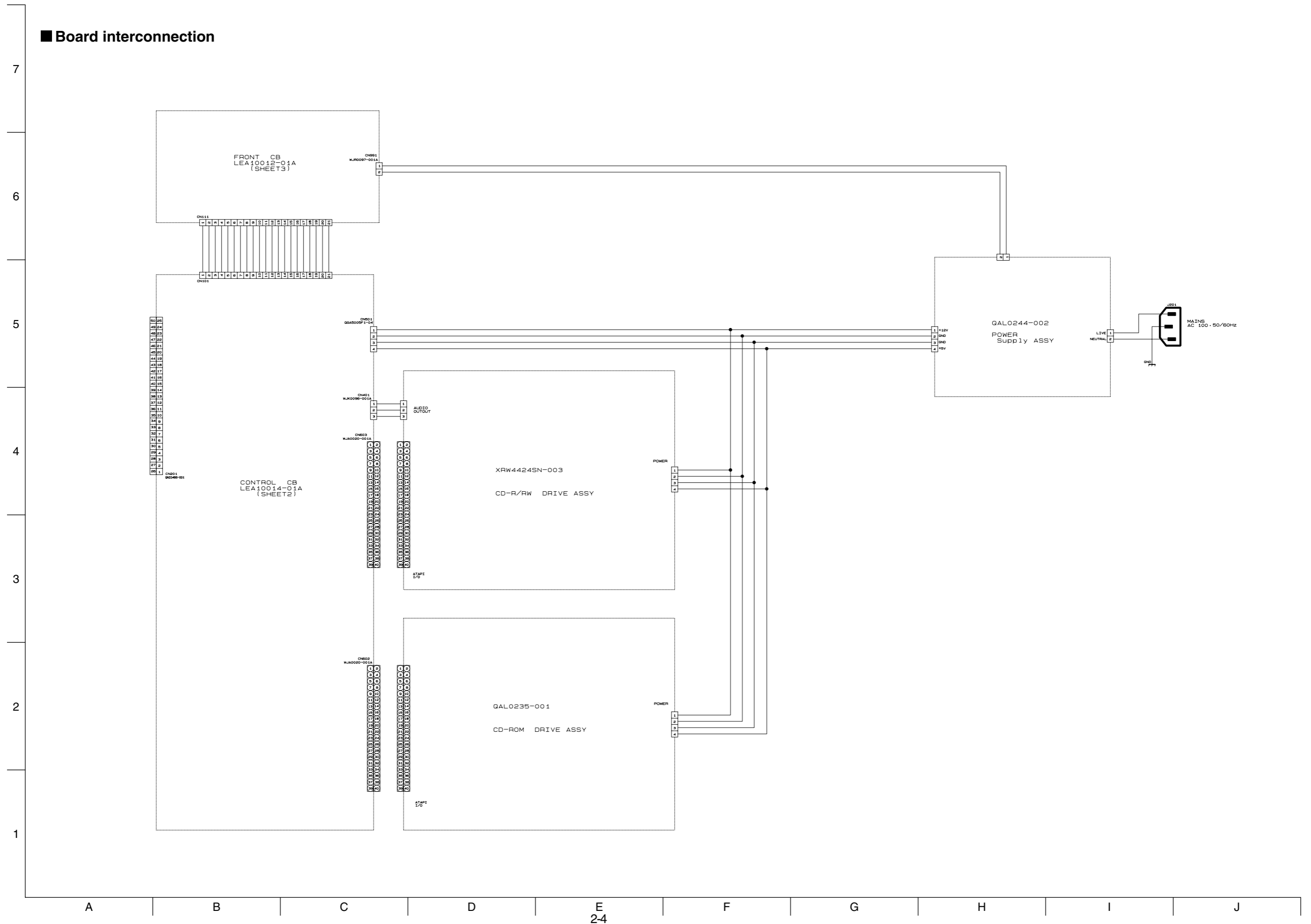
Control circuit

7
6
5
4
3
2
1



A B C D E F G H I J

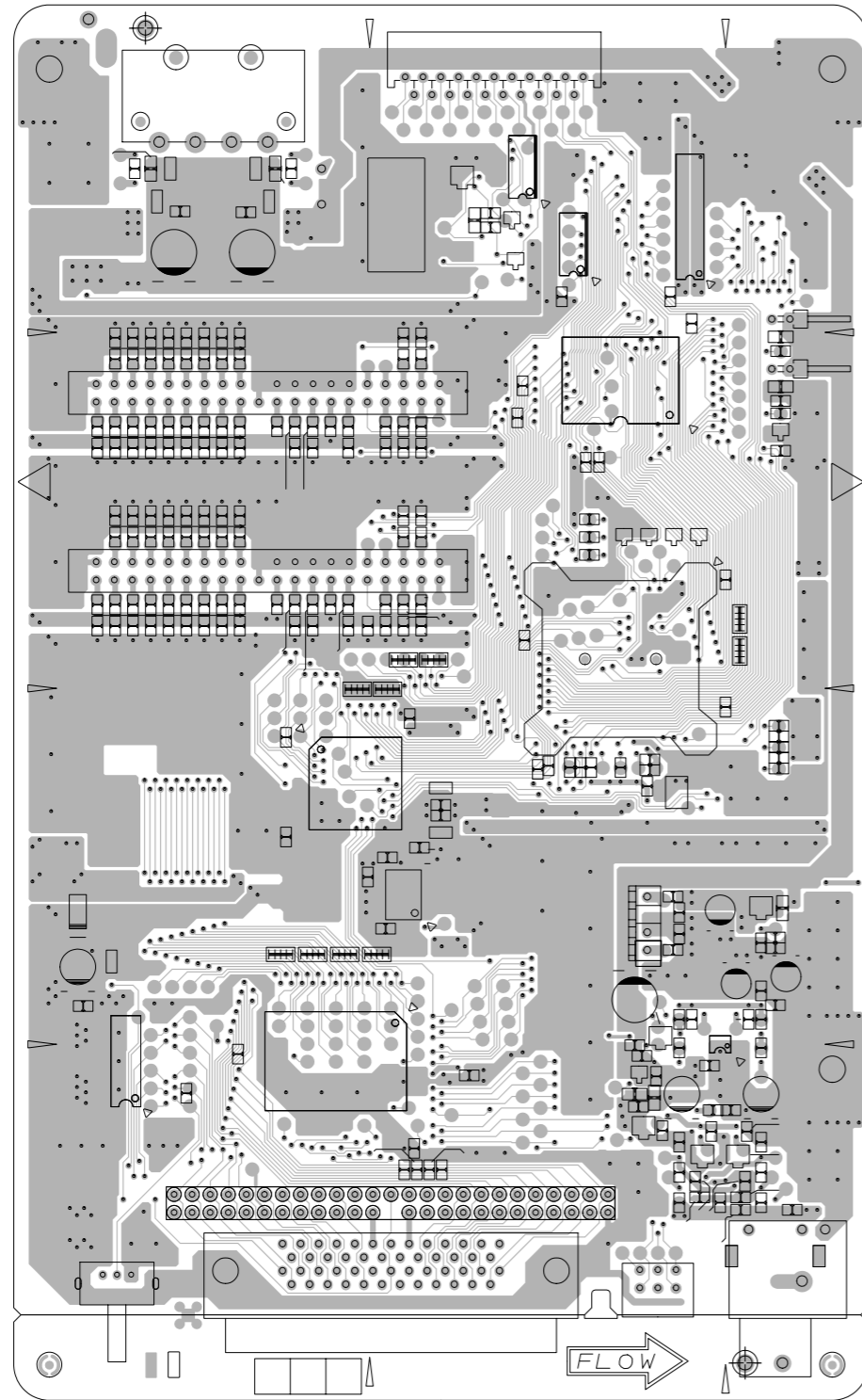
Board interconnection



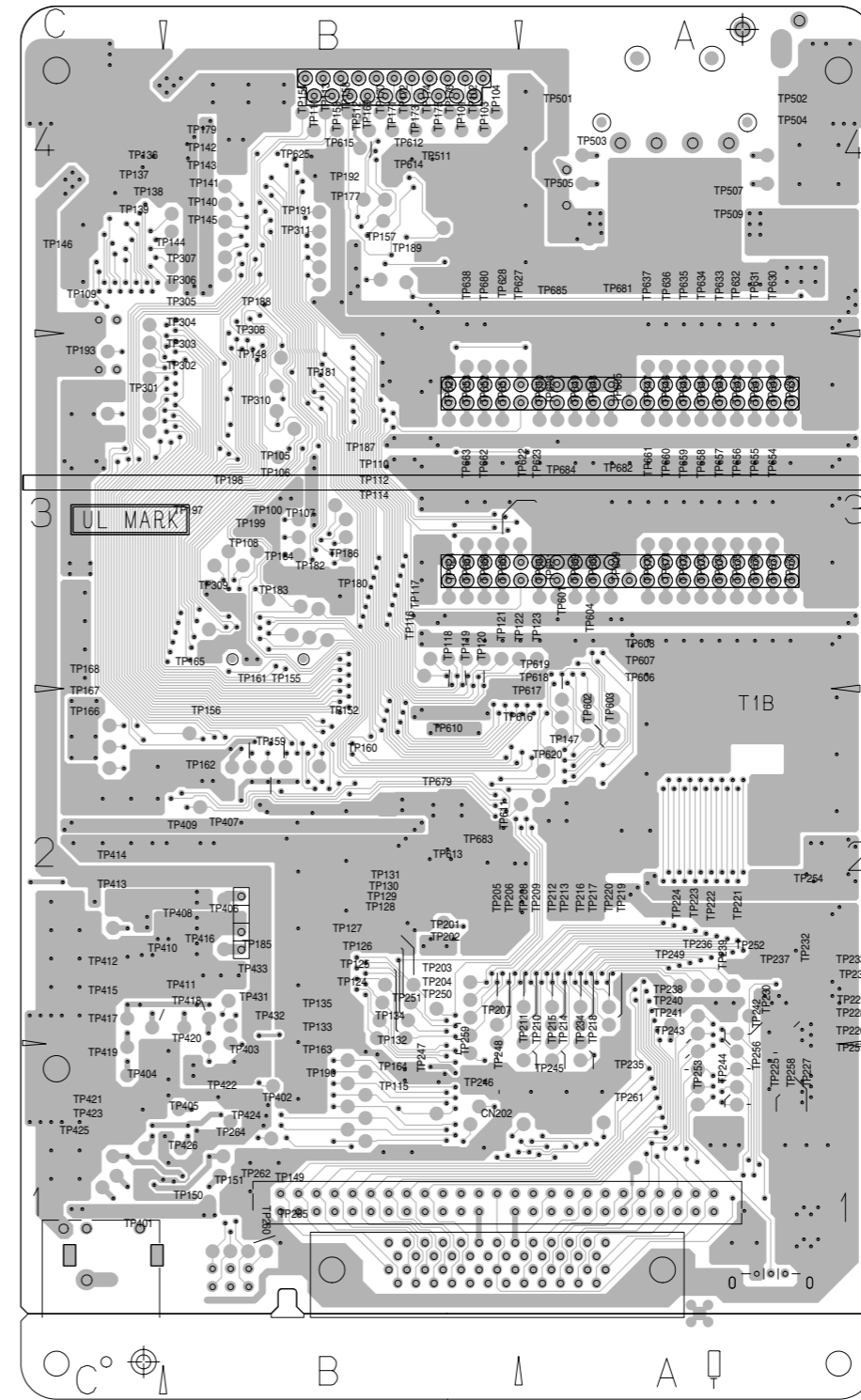
Printed circuit boards

■ Control board

(Surface side)



(Bottom side)



A

B

C

D

E

F

G

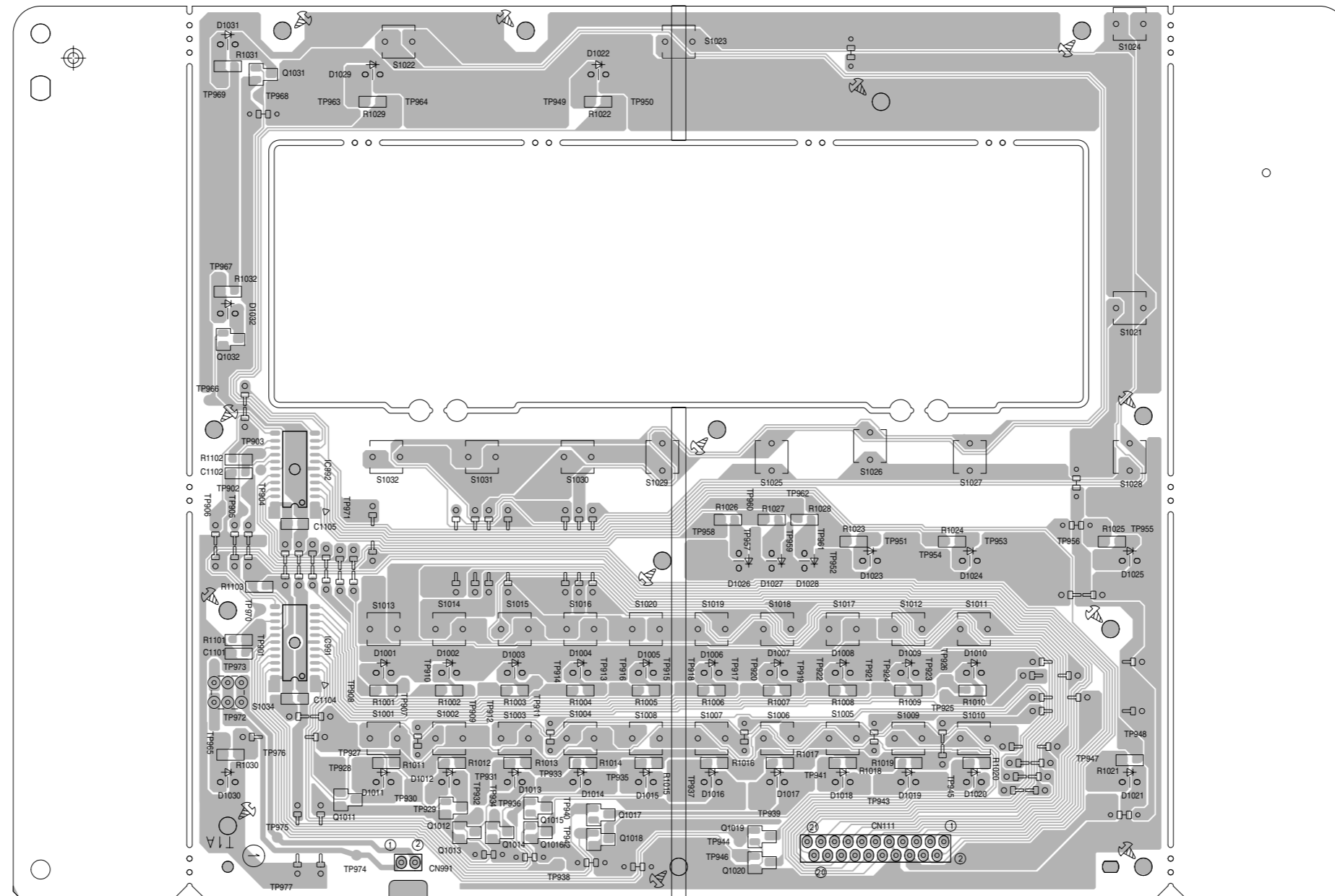
H

I

J

■ Front board

7
6
5
4
3
2
1



A B C D E F G H I J